

## INSTALATION INSTRUCTIONS FOR THE 90mm 3.5" , 100mm/ 4" , 120mm/ 5" OK, WE and MT SERIES EXTRACTOR FANS

### NOTE

**Switch off mains supply before making any electrical connection or maintenance. If in any doubt contact a qualified electrician.**

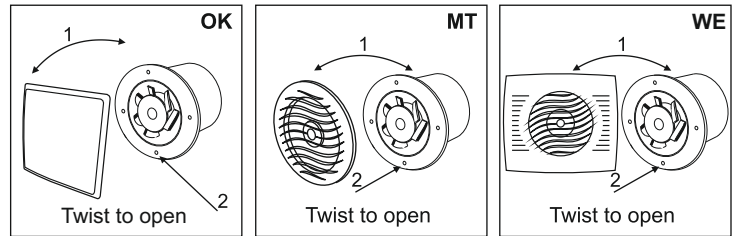
- I. For best results always install the fan in the furthest window wall or ceiling from the main air inlet point and at a high level. This will ensure maximum airflow of fresh air throughout the room.
- II. Always use our low voltage or In-line duct fans to ventilate a shower cubicle. The transformer of the low voltage fan must be sited out of reach of any person using the bath or shower.
- III. All wiring must comply with IEE Regulations. The power cable must be a minimum of 1mm sq in section.

1. Cut a hole in the wall to suit the fan and ducting Ø100mm/4". If the fan is to be fixed in the ceiling ensure that the hole is between the joists.

2. Fit ducting flush to the plaster of the wall or ceiling. Unclip the front grill Fig A (1)

3. Hold the body of the fan against the wall or ceiling and mark the fixing holes Fig A (2) and the cable entry.

4. Bring the power cable into position. For correct connection refer to the wiring diagrams.

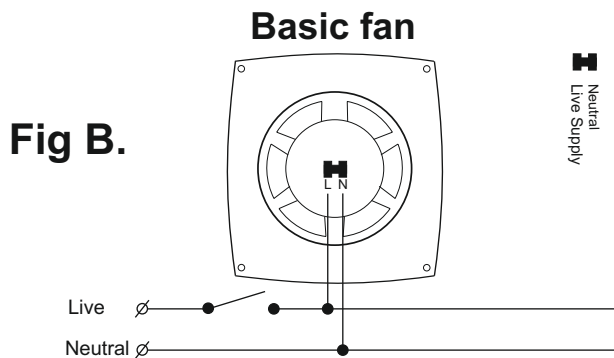


(1) Front Grille (2) Fixing Holes

**Fig A.**

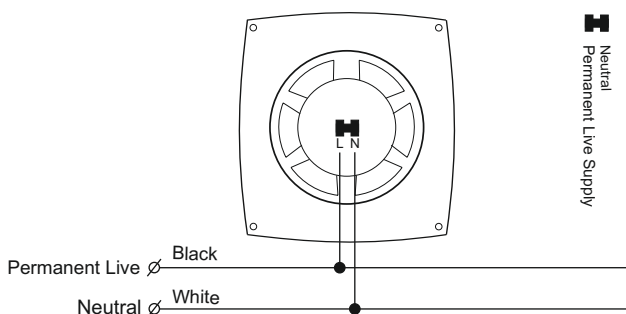
5. Use wall plugs and fixing screws to fix the fan to the wall or ceiling. If mounted on a surface that does not allow the use of wall plugs and screws use a silicon adhesive instead.

**NOTE: If the fan is fitted with back shutter, make sure the shutter is in vertical position. Remove the back shutter if the fan is mounted in vertical position.**



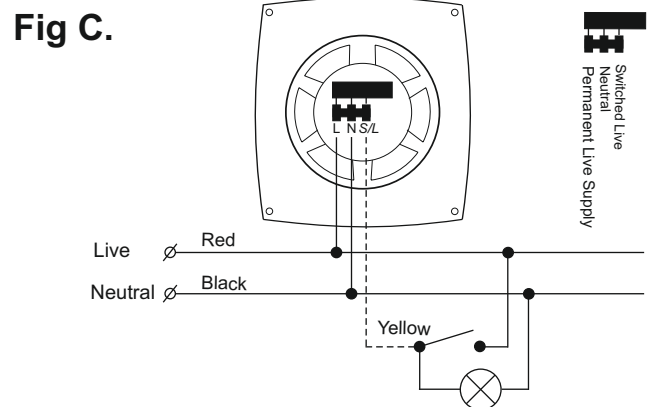
**Basic fan:** The fan is connected to the light switch or to a separate pull-cord switch and will operate from the pull-cord switch or when the light is switched on.

### Light Sensor & Timer Fan



**Light sensor and timer fan:** The fan is connected to a permanent live supply and will operate when light is detected by the integrated light sensor. The fan will operate for further 5 minutes after the light turns off.

### Timer Fan; Humidistat & Timer Fan



#### Timer Fan

The fan is connected to the light switch and will operate when the light switch is switched on or from a separate pull-cord switch. The built-in timer will ensure operation for 5 minutes after the light is switched off.

#### Humidistat & Timer Fan

- a) The fan will operate when the light switch is switched on. The timer ensures operation for 5 minutes after the light is switched off and the humidity is below 70%.
- b) The fan will operate when the humidity in the premises exceeds 70%. The built-in timer will ensure operation for 5 min. after the humidity is reduced below 70%.

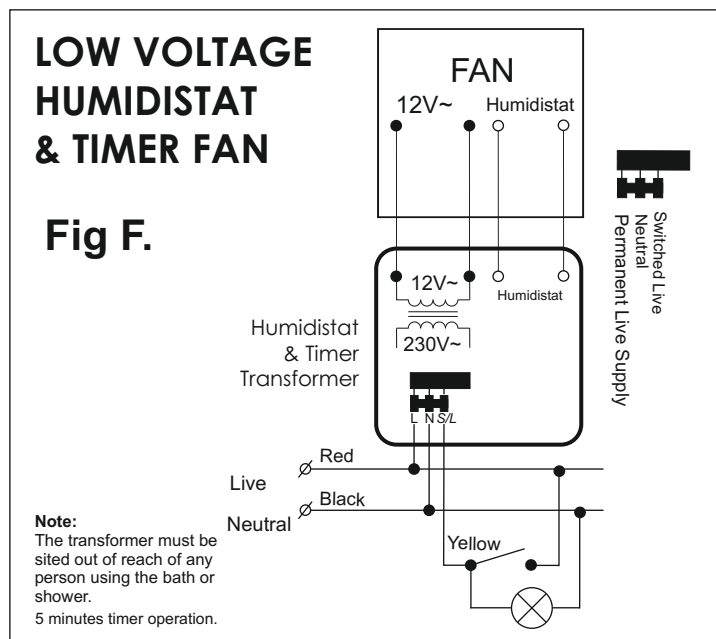
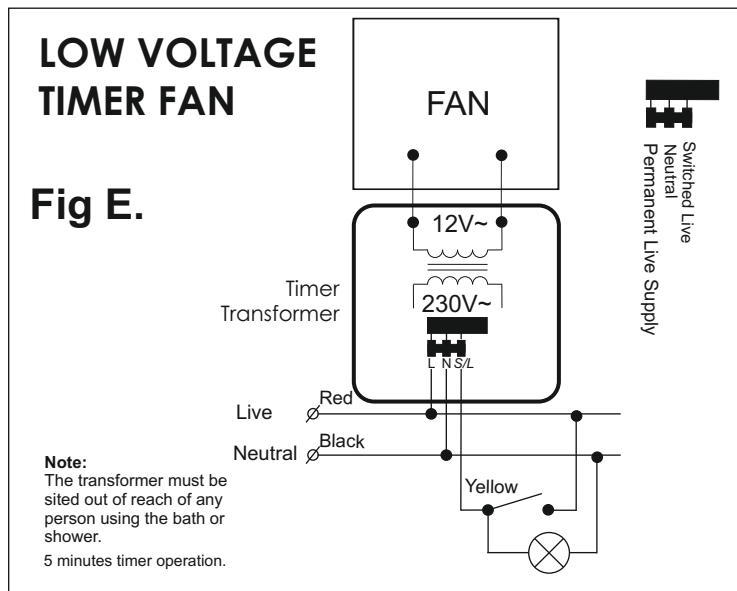
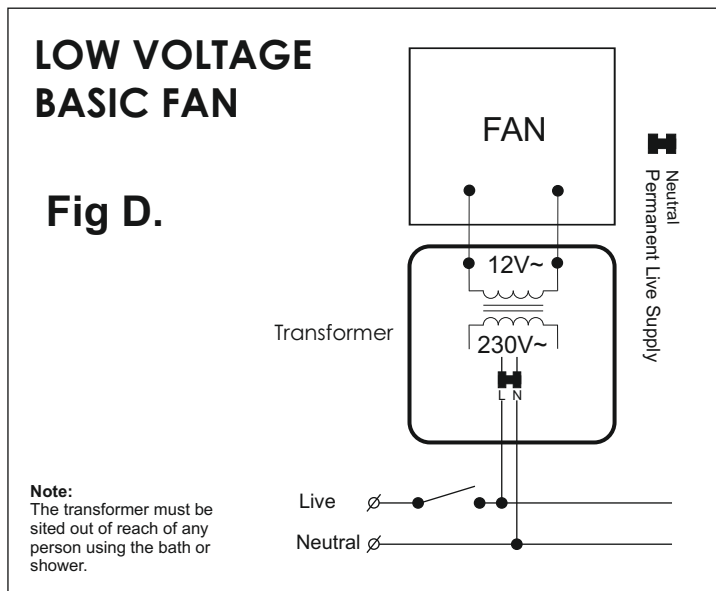
### IMPORTANT

- Switch off mains supply before making any electrical connections or maintenance.

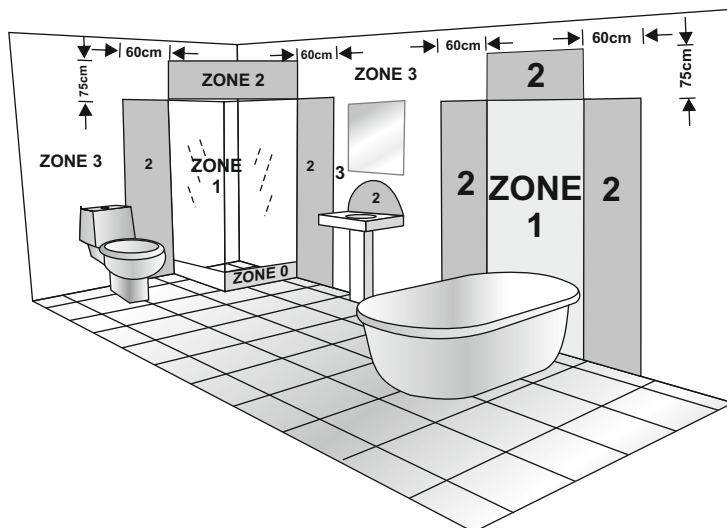
If in any doubt contact a qualified electrician.

- The appliance is not intended for use by children or persons with reduced physical, sensory or mental capabilities without being given supervision.
- Precautions must be taken to avoid back-flow of gases into the room from the open flue or other open-fire appliances when mounted in outside windows or walls.

# Low voltage fans suitable for Zone 1



## Bathroom Zone Regulations



## Technical data

Type	Hz/V	min <sup>-1</sup>	m <sup>3</sup> /h	W	A	Pa	IP	Max Air Temp.	Noise Level at 1m distance	Bathroom Zones
MT 100	50/230	2500	95	11	0,075	53	24	40°C	33,7 dB	2, 3
OK 90	50/230	2400	85	13	0,075	52	24	40°C	26 dB	2, 3
OK 100	50/230	2430	100	13	0,075	55	24	40°C	29 dB	2, 3
OK-UE 100	50/230	2200	100	2,3	0,015	55	24	55°C	25 dB	2, 3
OK 100 LV	50/12	2430	100	13	2	55	24	40°C	29 dB	1, 2, 3
OK 120 Adapter	50/230	2430	100	13	0,075	55	24	40°C	29 dB	2, 3
OK 120	50/230	2520	170	32	0,190	78	24	40°C	42 dB	2, 3
WE 90	50/230	2400	85	13	0,075	52	24	40°C	26 dB	2, 3
WE 100/120	50/230	2430	105	13	0,075	56	24	40°C	29 dB	2, 3
WE 100/120	50/230	2500	140	13	0,075	65	X4	40°C	28 dB	2, 3

## Two Speed



MT-2S	Hz/V	min <sup>-1</sup>	m <sup>3</sup> /h	W	A
Normal operation mode	50/230	2500	95	11	0,075
Moderate operation mode	50/230	1700	47	4	0,039

## GUARANTEE

**Your MMotors domestic fan comes with a free 24 months manufacturer's guarantee.**

MMotors extractor fans are manufactured to conform to the highest European standards, and we are confident that they are totally reliable. However, in the unlikely event a fault may occur, they have 24 months warranty which covers you for manufacturing faults or parts failure.

### Guarantee Document:

Product.....  
 Type.....  
 Date of purchase.....  
 Purchaser.....  
 Sales person.....

**Factory: MMOTORS**  
 3 Malak Iskar str.  
 Etropole-Bulgaria

E-mail: [mmotors@mmotors.bg](mailto:mmotors@mmotors.bg)  
[www.mmotors-europe.com](http://www.mmotors-europe.com)

ISO 9001:2015

